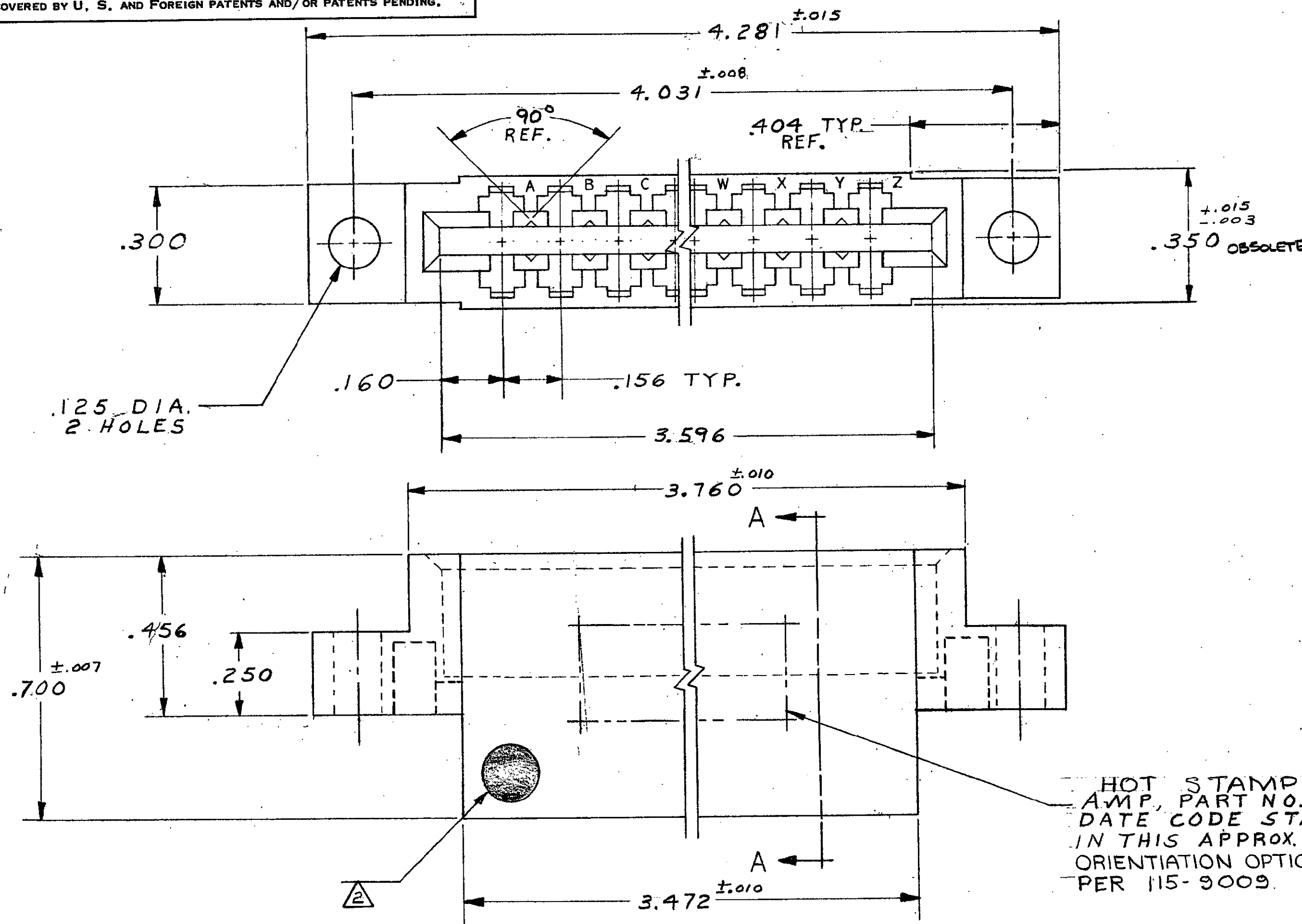
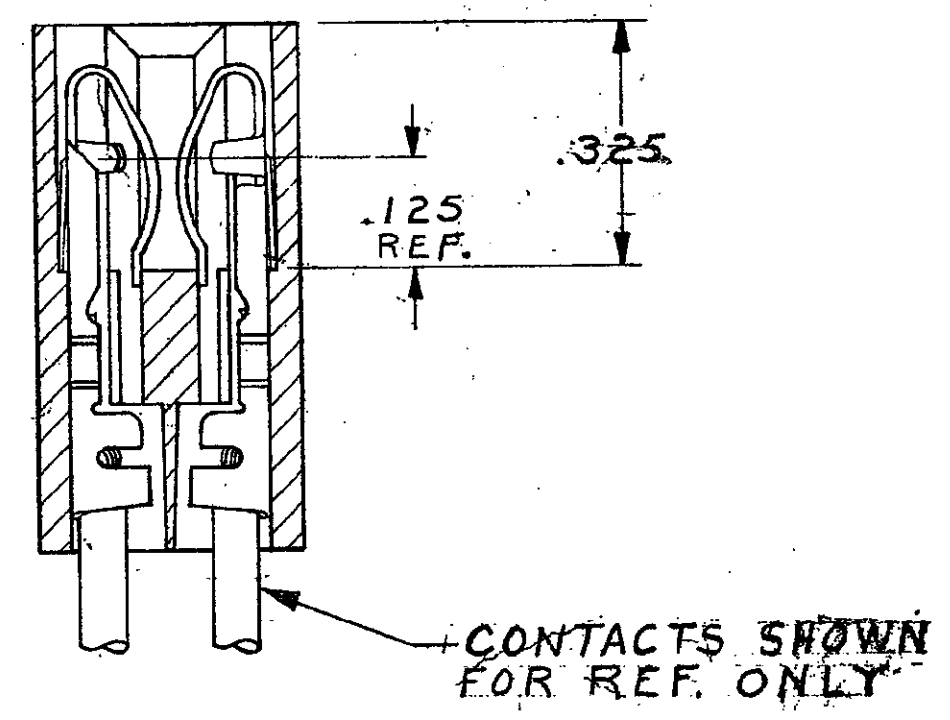


© COPYRIGHT 1970 BY AMP INCORPORATED, HARRISBURG, PA.
 ALL INTERNATIONAL RIGHTS RESERVED. AMP INCORPORATED PRODUCTS
 COVERED BY U. S. AND FOREIGN PATENTS AND/OR PATENTS PENDING.

REVISIONS					
P	F	ZONE	DESCRIPTION	DATE	APPROVED
		F	REV PER 0010-0337-95	10-17-95	P.B./
		G	REV PER EC 0320-349-97	25 MAR 97	NS

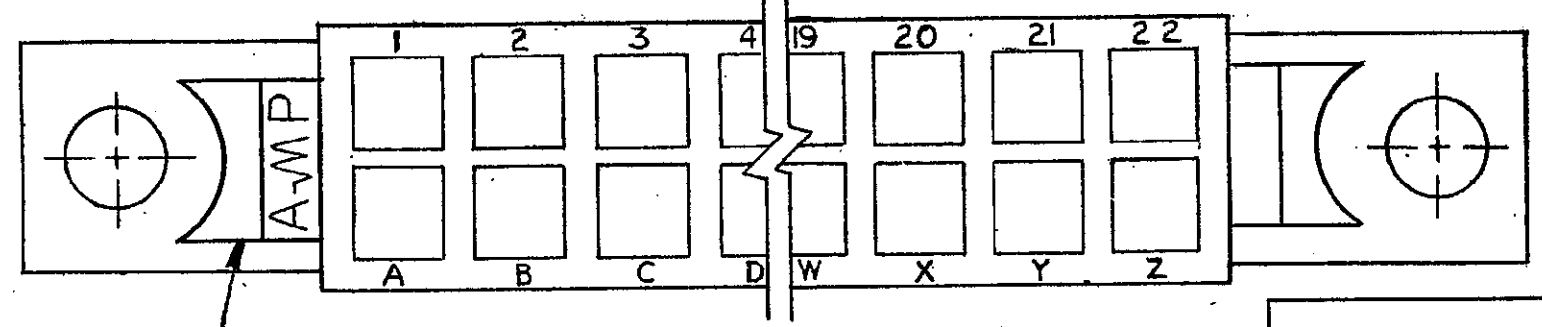


- 583617-1 I. AS SHOWN
- 583617-3 I. SAME AS -1 EXCEPT:
 .156 DIA. MTG. HOLES
- 583617-6 I. SAME AS -1 EXCEPT:
 WITH SPECIAL MARKING
 ⚠
- 583617-7 I. SAME AS -3 EXCEPT:
 .180 DIA. MTG. HOLES



HOT STAMP
 AMP, PART NO. &
 DATE CODE STAMPED
 IN THIS APPROX. AREA,
 ORIENTATION OPTIONAL.
 PER 115-9009.

SECT. A-A



- ⚠ .055-.070 P.C. BOARD THICKNESS.
- ⚠ .250 ±.015 DIA. WHITE DOT INK STAMPED IN LOWER
 LEFT HAND CORNER ON EITHER SIDE OF HOUSING
- ⚠ VOID CORING PERMISSIBLE AT AMP'S OPTION REF ONLY

UNLESS OTHERWISE SPECIFIED DIMENSIONS ARE IN INCHES. TOLERANCES ON: DECIMALS ±.005 ANGLES ±1°		CONTRACT NO DR <i>A.M. SHARPE</i> 11-26-80 CHK <i>D. Bushey</i> 12-2-80 APPD <i>S. S. Shym</i> 12-2-80 APPD <i>S. R. Riecke</i> 12-2-80 DSGN APPD OTHER APPD		PART NO	
MATERIAL GLASS FILLED NYLON OR POLYESTER COLOR: BLACK		NAME HOUSING, AMP LEAF, 22 POS DUAL		AMP INCORPORATED Harrisburg, Pa.	
FINISH		SIZE CODE IDENT NO DRAWING NO C 00779 583617		SHEET 1 OF 1	
		SCALE 4:1			